

# Premier Quatro 4 Loop Analogue Addressable Fire Alarm Panel



**250**  
ZONE

**4**  
LOOP

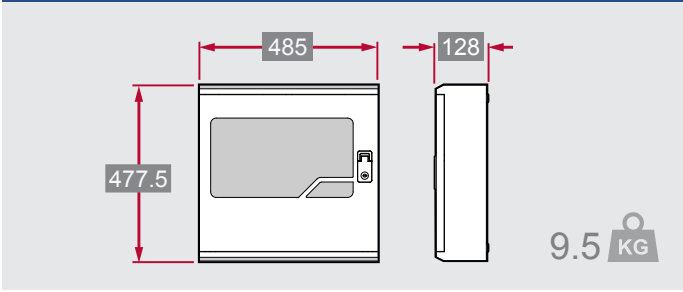
**ABC**  
X5

**+ -**  
17AH

**3072**  
CIRCUITS

**2**  
CIRCUITS

## Dimensions (mm) & Weight (kg)



## Description

The Quatro control panel is designed, manufactured and tested to fully meet the requirements of EN54 part 2 and part 4. This panel is of a modular nature and can be supplied in 1, 2, 3, and 4 loop versions.

A specially designed Quatro Configuration software is available for configuring the panel or multi-panels and can be downloaded to the system via USB connection.

Up to 32 panels/repeaters can be networked over 10,000m of data cable and a special alarm management system can provide all needs for very large projects such as university campus, hospital complex etc.

## Features

- 1-4 loop, expandable by loop cards
- 20 zone LEDs
- 250 programmable zones
- Multi-language support (English, Spanish, Portuguese, French, Hungarian, Italian, Lithuanian & Dutch)
- Day/night mode delays
- 4 x 40 character LCD display
- Real Time Clock
- 4096 entry event log
- 20 character device text
- 18 character zone text
- Zone or Device Disablement
- 2 x conventional sounder circuits
- Aux 24V supply
- 1 x fire relay
- 1 x fault relay
- Outputs programmable by zones
- Can be configured via PC or via Panel.



## Technical Specification

Model	QT/1	QT/2	QT/3	QT/4
Part No	37-500	37-501	37-502	37-503
Supply Voltage	230V +10%/-15% @ 50-60 Hz			
System Voltage	29.5V Nominal			
Number of loops	1	2	3	4
Loop Capacity	250	250	250	250
Zonal Indication - LED	20	20	20	20
Zonal Indication - LCD	250	250	250	250
Fault Output	Normally Energised Relay: 30V @ 1A			
Fire Output	Relay: 30V @ 1A			
Alarm Output	2 x Conv Sounder Output @ 450mA			
Printer	NO	NO	NO	NO
Dimensions	485 x 477.5 x 128			
Max Battery size	17Ah			
IP Rating	IP30			
Operating Temperature	-5°C to + 50°C			

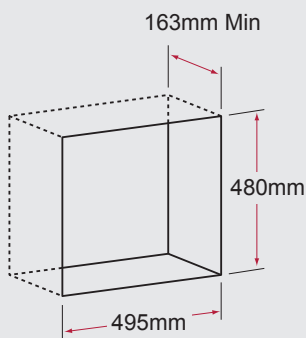
## Flush Mount Kits

QT4-FMB (Part No. 26-307)

Quatro Flush Mount Kit



Dimensions of Wall Opening



QT4-FMB/SS (Part No. 26-310)

Quatro Stainless Steel Flush Mount Kit



Dimensions of Wall Opening

